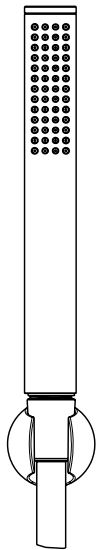
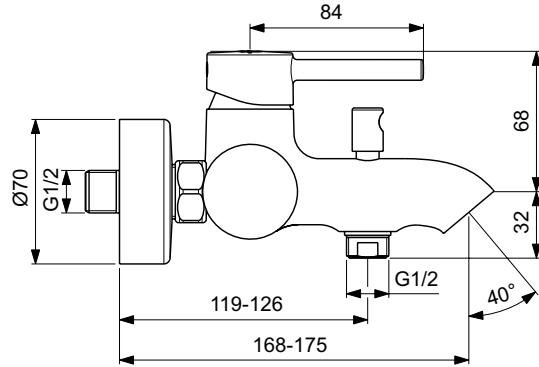




Ideal Standard

BATH-SHOWER MIXERS

Ceraline



Article-No.: BC270XG

Exposed bath&shower mixer w/h accessories

Ceraline exposed bath & shower mixer with automatic diverter and 38 mm ceramic cartridge FirmaFlow with hot water limiter. Using: Metal handle with red and blue colour indication, Check valve, Standard S-Connections with Noise reducers and Cache aerator. With accessories: stick hand spray 1-functional, wall bracket and shower hose.

Colour: XG - Silk Black

More product details:

Type:	With Automatic diverter
Mounting:	Exposed
Operation Type:	Single lever
Style:	Contemporary
Accreditations:	DIN EN 817, DIN 4109 Gruppe 1
Operation Pressure (bar):	3
Net Weight (kg):	2,455
Material:	Powder coated brass
Depth (mm):	187
Packaging Elements:	Mixer + Accessories
Certificate Number:	EN 817